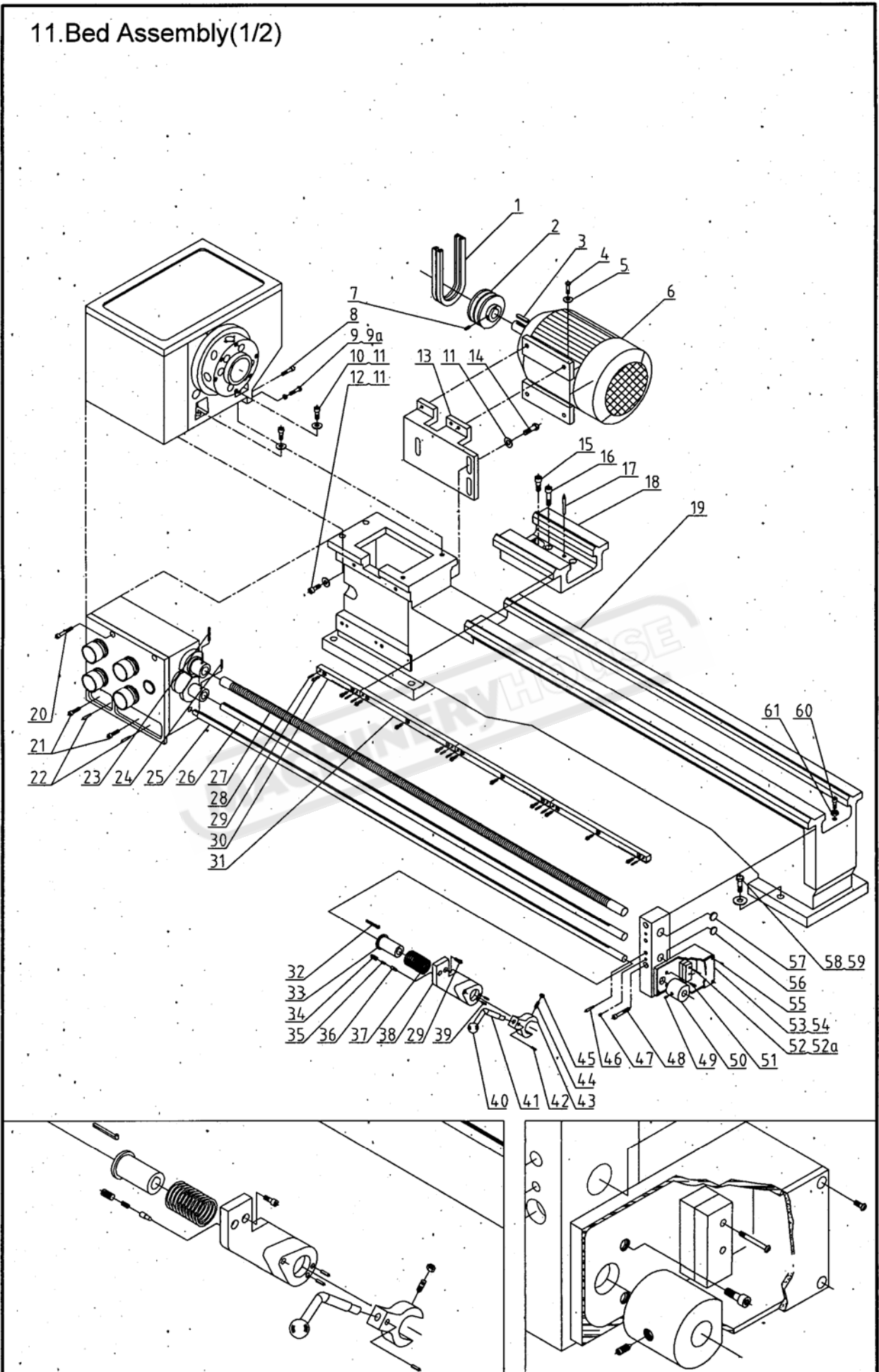
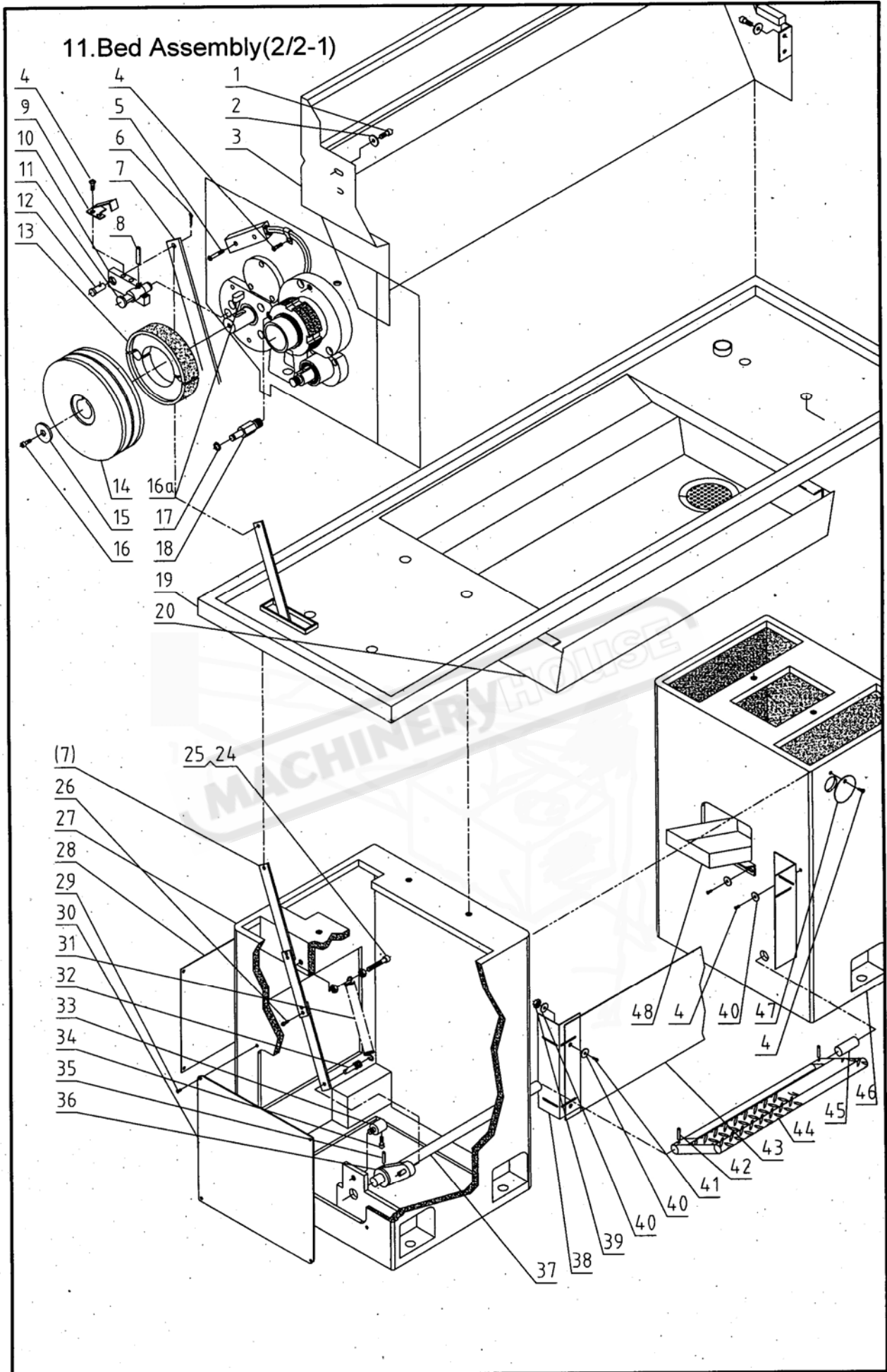


11. Bed Assembly(1/2)



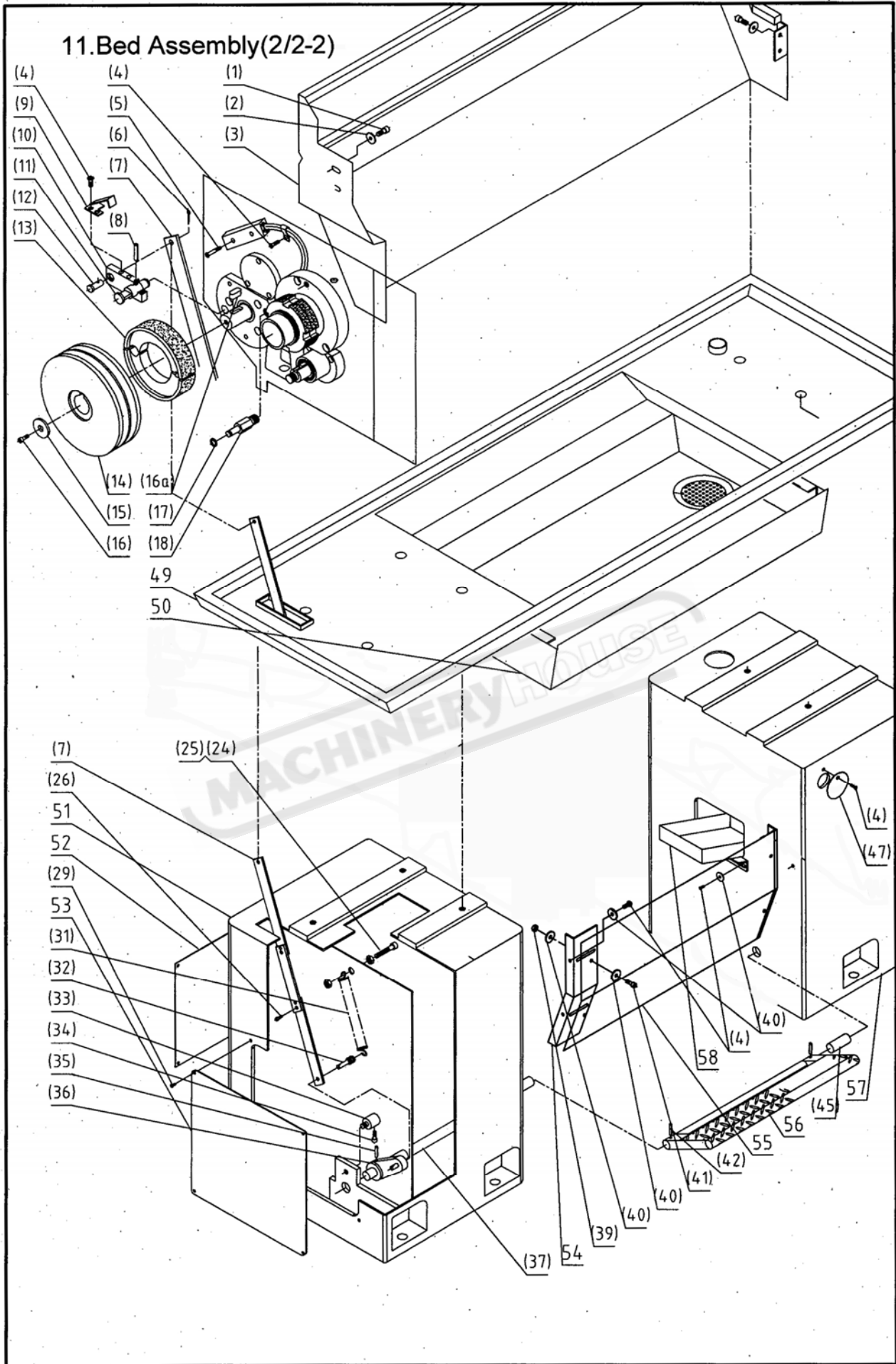
BED ASSEMBLY (1/2)

No	Part No	Name	Specification
1		V-Belt	□A838/□A850/□A864
2	D330A-11106	PULLEY	50Hz
	D330A-11106-1		60Hz
3	GB1096	KEY	8×35
4	GB5781	hexagon(al) head tap bolt	M8×25
5	GB97.1	washer	8
6		motor	240v/380v/400v-50Hz-1.5Kw
7	GB78	screw	M6×8
8	GB70	SOCKET HEAD SCREW	M8×30
9	GB5781	hexagon(al) head tap bolt	M8×40
9a	GB6170	NUT	M8
10	GB70	SOCKET HEAD SCREW	M12×35
11	GB97.1	washer	12
12	GB5781	hexagon(al) head tap bolt	M12×40
13	D330B-11107G	BRACKET	
14	GB5781	hexagon(al) head tap bolt	M10×30
15	GB70	SOCKET HEAD SCREW	M10×35
16	GB70	SOCKET HEAD SCREW	M12×40
17	GB881	assembling pin	8×70
18	D330B-11103G	BRIDGE	
19	D330B-11101G	BED	
20	GB70	SOCKET HEAD SCREW	M8×50
21	GB70	SOCKET HEAD SCREW	M8×30
22	GB118	TAPER PIN	6×30
23	GB879	SPRING PIN	4×42
24	GB879	SPRING PIN	4×32
25	D330B-11203G	CONTROL ROD	
26	D330B-11202G	FEED ROD	
27	D330B-11201G	LEADSCREW	Tr22×4-7h
	D330B-11201G-1		Tr22×3.175-7h
28	GB879	SPRING PIN	5×20
29	GB70	SOCKET HEAD SCREW	M6×16
30	D330B-11205G	SHORT RACK	
31	D330B-11204G	LONG RACK	
32	GB1096	Oriented key	4×50
33	D330B-11217G	COLLAR	
34	GB77	SCREW	M8×8
35		spring	6×1×15
36	D330B-11105G-1	ASSEMBLING PIN	
37		SPRING	32×3.6×50
38	D330B-11105G	BRACKET	
39	GB879	SPRING PIN	5×20
40		knob	BM10×32



BED ASSEMBLY (2/2-1)

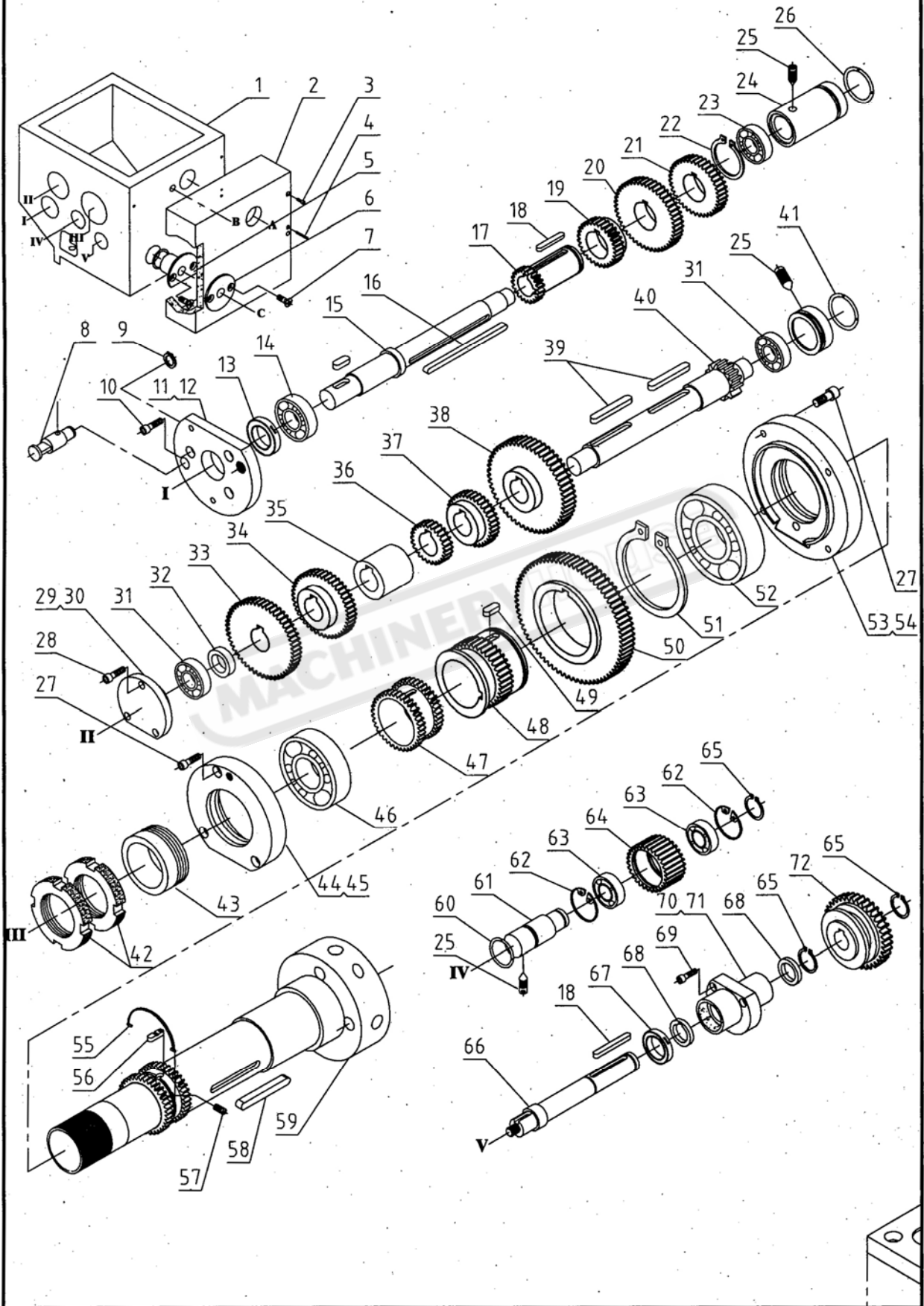
№	Part №	Name	Specification
1	GB70	Socket head screw	M6×12
2	GB97.1	Tailor-made washer	6
3	D330B-14205	Splash guard	
4	GB818	screw	M5×8
5	GB818	screw	M4×28
6	GB91	pin	3×16
7	D330B-14214	Connecting rod	
8	GB879	Spring pin	5×25
9	D330A-71205	backstop	
10	D330A-21231	rocker	
11	D330A-21230	shaft	
12	D330A-21239	pin	
13		Brake block	Φ105×25 (XF-125)
14	D330A-21105	pulley	
15	GB97.1	washer	8
16	GB70	Socket head screw	M8×16
16a	GB1096	key	8×20
17	GB894.1	circlip	8
18	D330A-11232	shaft	
19	D330B-14203	Oil tray	
20	D330B-14204	Oil tray	
24	GB70	Socket head screw	M10×30
25	GB6170	Hexagon nut	M10
26	GB70	Socket head screw	M6×10
27	D330B-14201	Casting left stand	
28	D330B-14210	cover	
29	GB818	screw	M5×12
30	D330B-14209	cover	
31	D330A-11237	drawspring	
32	D330A-11236	pin	
33	D330A-11242	shaft	
34	GB70	Socket head screw	M6×40
35	GB879	Spring pin	5×40
36	D330A-11235	rocker	
37	D330A-11238	Long shaft	
38	D330B-14206	Angle iron	
39	GB6170	Hexagon nut	M6
40	GB97.1	Tailor-made washer	6



BED ASSEMBLY (2/2-2)

№	Part №	Name	Specification
1	GB70	Socket head screw	M6×12
2	GB97.1	Tailor-made washer	6
3	D330B-14205	Splash guard	
4	GB818	screw	M5×8
5	GB818	screw	M4×28
6	GB91	pin	3×16
7	D330B-14214	Connecting rod	
8	GB879	Spring pin	5×25
9	D330A-71205	backstop	
10	D330A-21231	rocker	
11	D330A-21230	shaft	
12	D330A-21239	pin	
13		Brake block	Φ105×25 (XF-125)
14	D330A-21105	pulley	
15	GB97.1	washer	8
16	GB70	Socket head screw	M8×16
16a	GB1096	key	8×20
17	GB894.1	circlip	8
18	D330A-11232	shaft	
24	GB70	Socket head screw	M10×30
25	GB6170	Hexagon nut	M10
26	GB70	Socket head screw	M6×10
29	GB818	screw	M5×12
31	D330A-11237	drawspring	
32	D330A-11236	pin	
33	D330A-11242	shaft	
34	GB70	Socket head screw	M6×40
35	GB879	Spring pin	5×40
36	D330A-11235	rocker	
37	D330A-11238	Long shaft	
39	GB6170	Hexagon nut	M6
40	GB97.1	Tailor-made washer	6
41	GB70	Socket head screw	M6×12
42	GB879	SPRING PIN	5×28
45	D330A-11241	Short shaft	
47	D330B-14208	cover	

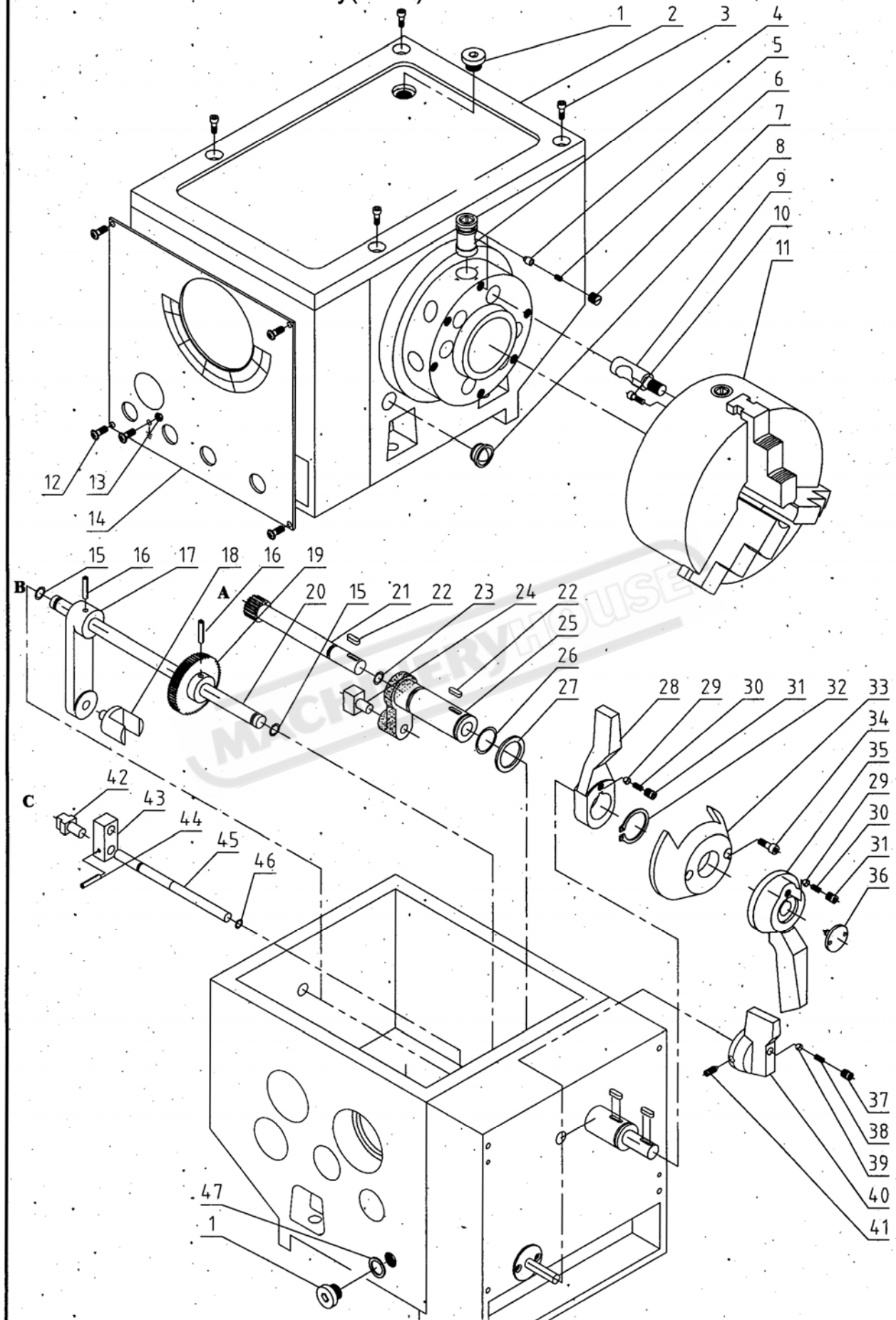
12. Headstock Assembly(1/2)



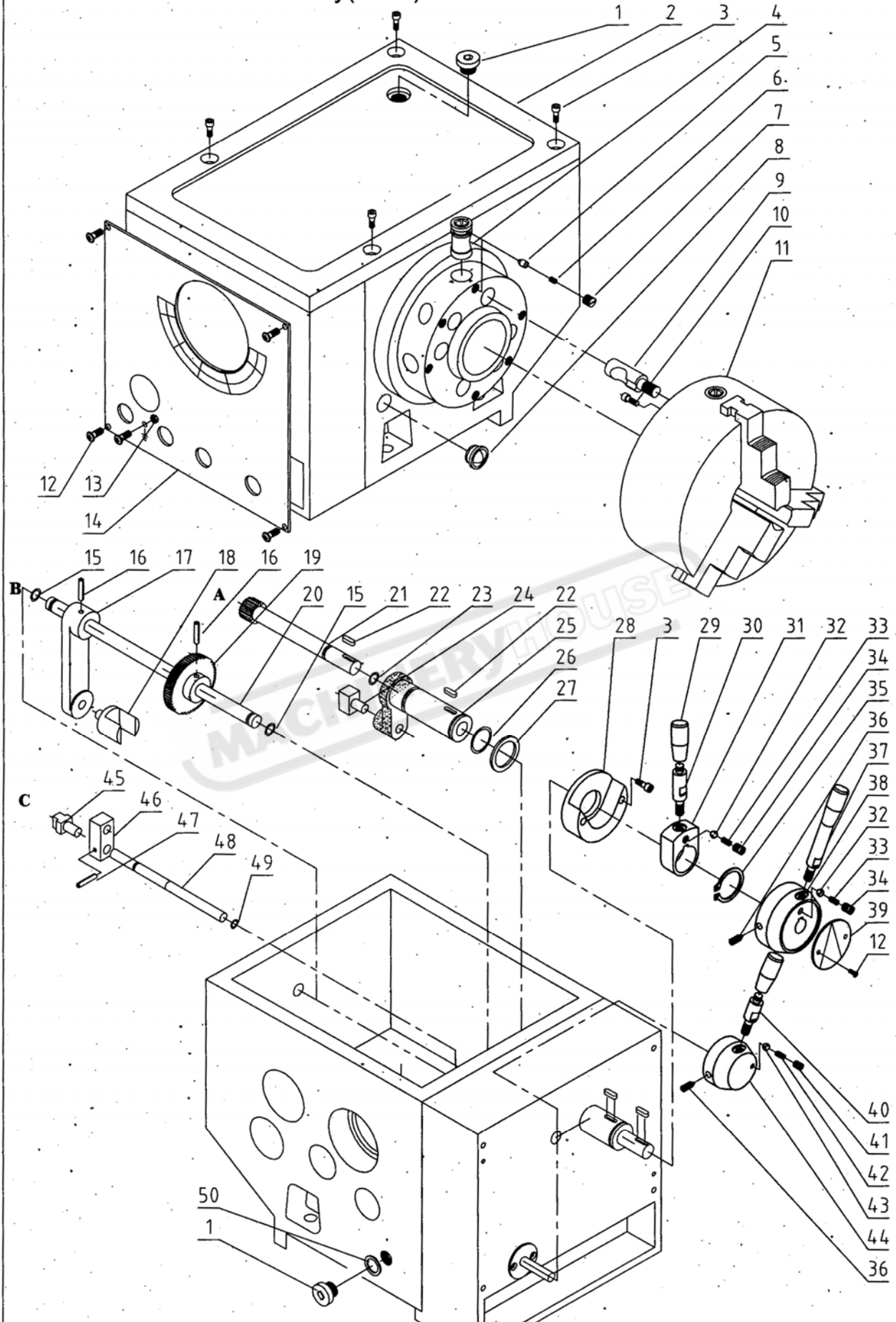
HEADSTOCK (1/2): PARTS LIST

No	Part No	Name	Specification
1	D330D-21107	headstock	
2	D330B-21113	Case frame	
3	GB70	Socket head screw	M6×40
4	GB879	Spring pin	5×40
5	D330A-21246	sleeve	
6	D330A-21235	sleeve	
7	GB819	screw	M4×8
(8)	D330A-11230	shaft	
9	GB894.1	circlip	12
10	GB70	Socket head screw	M6×20
11	D330A-21124	cover	
12	D330A-21601	gasket	
13	GB3871	Oil seal	SD25X40X7
14	GB276	Radial thrust bearing	6005/P5
15	D330A-21215	shaft	
16	GB1096	key	6×120
17	D330D-21217	gear	
18	GB1096	key	6×50
19	D330A-21218	gear	
20	D330D-21219	gear	
21	D330A-21220	gear	
22	GB894.1	circlip	35
23	GB276	Radial thrust bearing	6203
24	D330A-21106	Front plug	
25	GB78	screw	M8×16
26	GB1235	O-ring	40×3.1
27	GB70	Socket head screw	M6×25
28	GB70	Socket head screw	M4×12
29	D330A-21104	cover	
30	D330A-21602	gasket	
31	GB276	Radial thrust bearing	6204
32	D330A-21211	washer	
33	D330D-21222	gear	
34	D330A-21209	gear	
35	D330D-21221	washer	
36	D330D-21210	gear	
37	D330D-21223	gear	
38	D330D-21224	gear	
39	GB1096	key	8×55
40	D330A-21212	shaft	
41	GB1235	O-ring	47×3.1
42	D330D-21208	nut	
43	D330D-21102	collar	

12. Headstock Assembly(2/2-1)



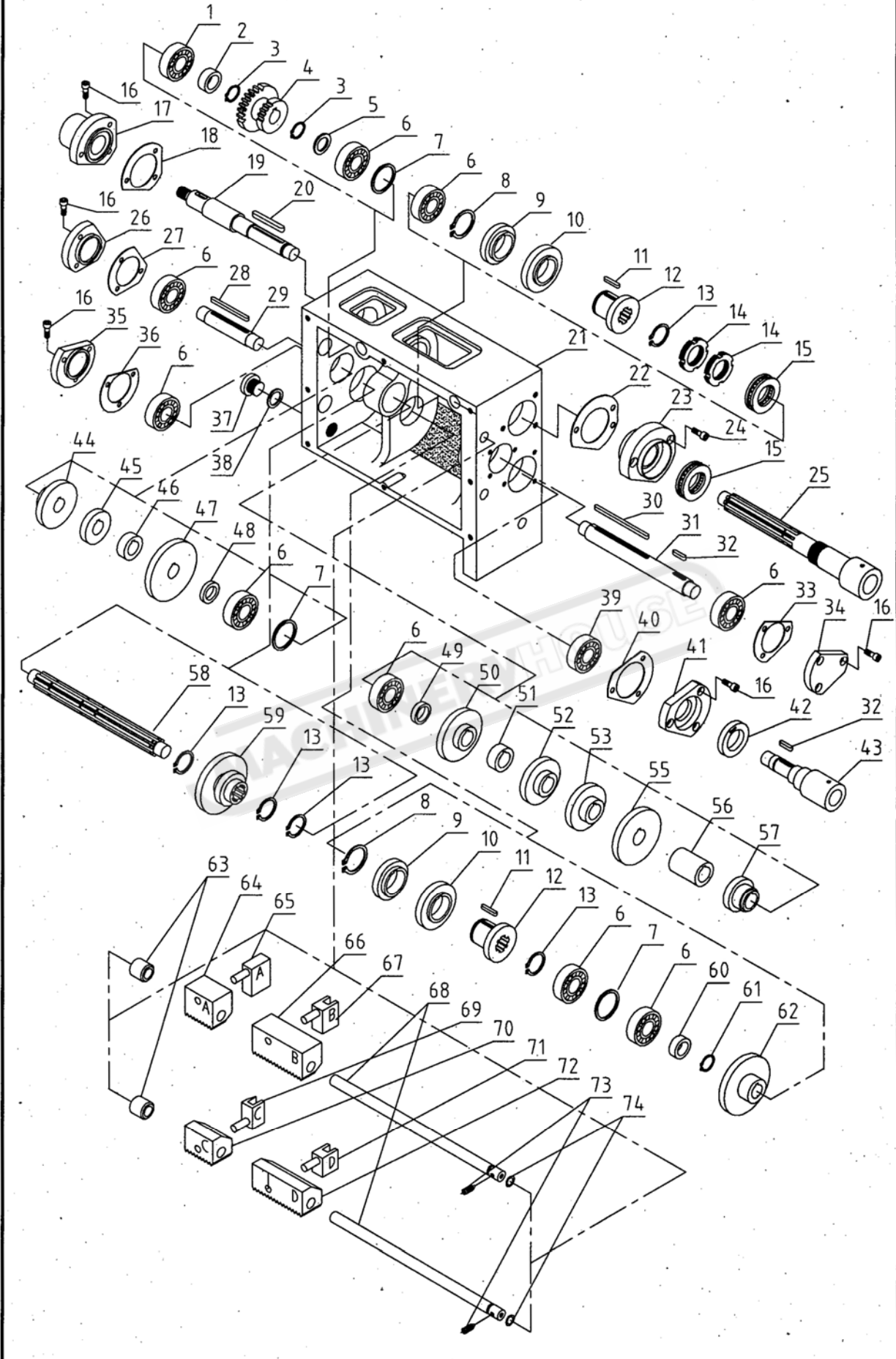
12. Headstock Assembly(2/2-2)



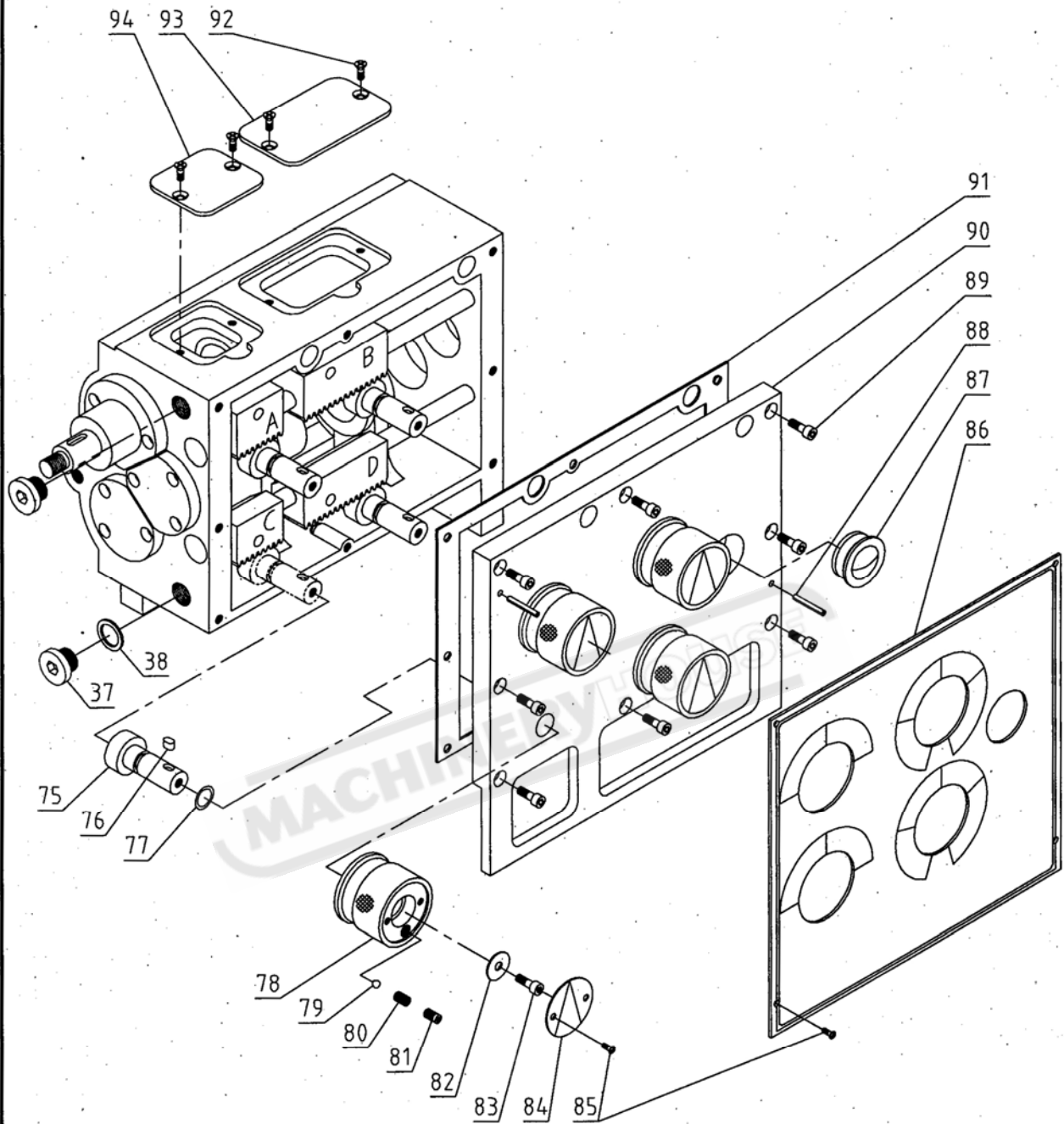
HEADSTOCK (2/2-2): PARTS LIST

№	Part №	Name	Specification
1		hexagonal socket head plug	M16×1.5
2	D330B-21112G	Cover board	
3	GB70	Socket head screw	M6×25
4	D330D-21231	cam	
5	D330D-21253	Arresting pin	
6	D330D-21254	spring	
7	D330D-21250	Screw bushing	
8	GB1160.1	Oil sight	A12
9	D330D-81201	Cam lock stud	
10	GB70	Socket head screw	M6×20
11		Three jaw chuck	D5/200
12	GB818	screw	M4×8
13	GB6170	nut	M4
14		nameplate	
15	GB1235	O-ring	14×2.4
16	GB879	Spring pin	5×30
17	D330A-21109	rocker	
18	D330D-21233	Shift fork	
19	D330A-21234	gear	
20	D330A-21232	shaft	
21	D330B-21241G	shaft	
22	GB1096	key	5×14
23	GB1235	O-ring	16×2.4
24	D330A-21403	Shift fork	
25	D330D-21121	Shift collar	
26	GB1235	O-ring	30×3.1
27	D330A-21240	washer	
28	D330A-21118	base	
29	GB7271.3	cover	BM8×40
30	D330A-21248-1	handle	
31	D330A-21119	Handle base	
32	GB308	Steel ball	6
33	GB2089	spring	Y1-6×1×10
34	GB77	screw	M8×8
35	GB894.1	Circlip	30
36	GB78	screw	M6×16
37	D330A-21249	Handle base	
38	D330A-21117	Handle base	
39		Position sign plate	
40	D330A-21248	handle	
41	GB77	screw	M6×8
42	GB2089	spring	Y1-5×1×25
43	GB308	Steel ball	5
44	D330A-21120	Handle base	
45	D330A-21402	Shift fork	
46	D330A-21111	rocker	
47	GB879	Spring pin	4×18
48	D330B-21236G	shaft	
49	GB1235	O-ring	10×1.9
50		Copper washer	16

13. Gear box Assembly(1/2)



13. Gearbox Assembly(2/2)



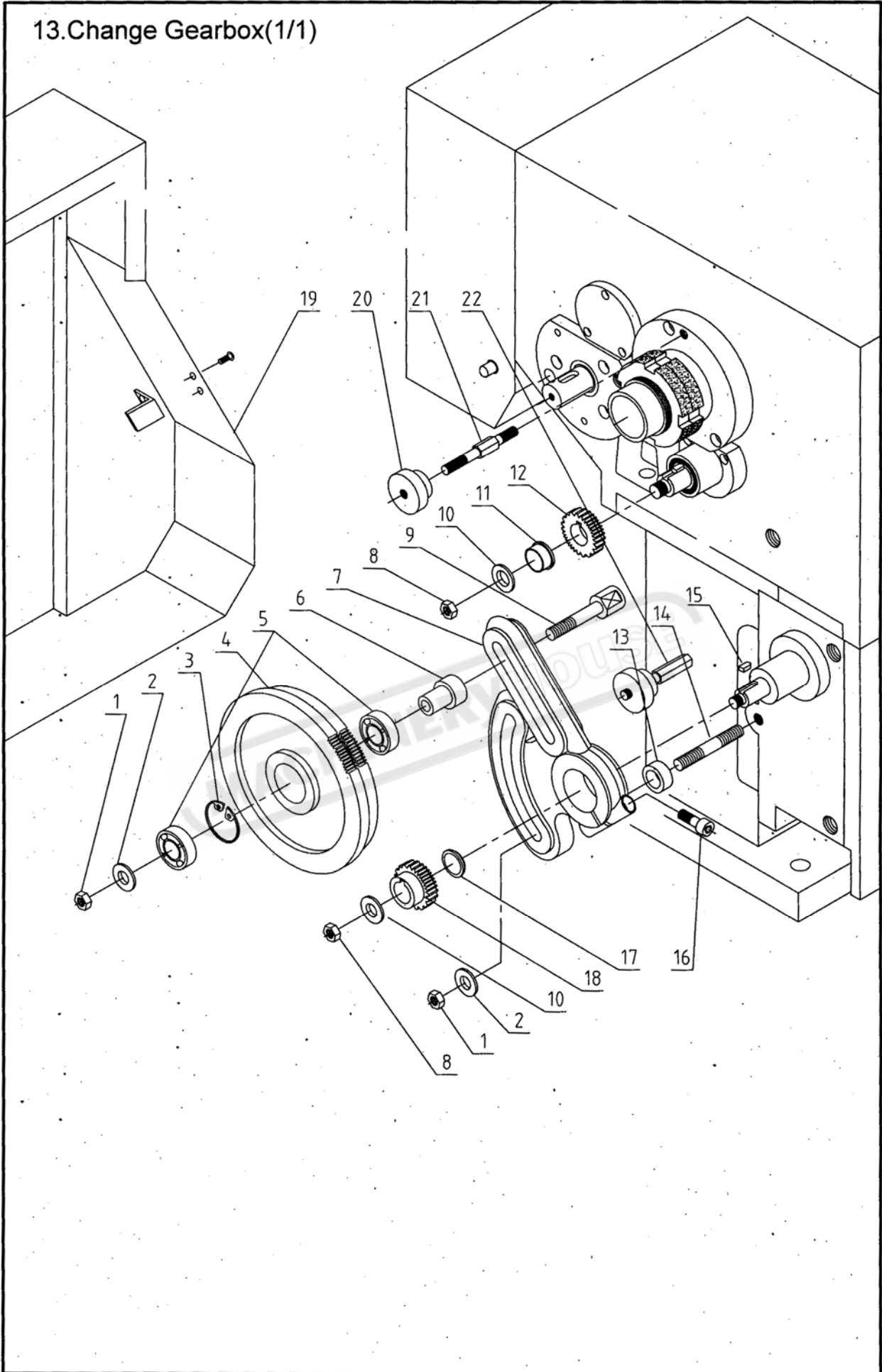
FEED GEAR BOX: PARTS LIST

№	Part №	Name	Specification
1	GB276	Radial thrust bearing	6203
2	D330B-31105	Space washer	
3	GB894.1	circlip	16
4	D330B-31201	gear	
5	D330B-31106	Space washer	
6	GB276	Radial thrust bearing	6202
7	D330B-31107	Space washer	
8	GB894.1	circlip	28
9	D330B-34201-3	gear	
10	D330B-34201-2	gear	
11	GB1096	key	A4×22
12	D330B-34201-1	gear	
13	GB894.1	circlip	20
14	D330C-0546C	Circle nut	
15	GB301	Thrust ball bearing	51105
16	GB70	Socket head screw	M5×14
17	D330B-31102-0	flange	
18	D330B-31103	gasket	
19	D330B-31101	shaft	
20	GB1096	key	5×45
21	D330B-30101	Casting case	
22	D330B-37103-0	gasket	
23	D330B-37102-0	bush	
24	GB70	Socket head screw	M6×14
25	D330B-37101-0	shaft	
26	D330B-32102	End cover	
27	D330B-32103	gasket	
28	GB1096	key	4×55
29	D330B-32101	shaft	
30	GB1096	key	4×80
31	D330B-35101	shaft	
32	GB1096	key	4×18
33	D330B-35103	gasket	
34	D330B-35102	End cover	
35	D330B-33102	End cover	
36	D330B-33103	gasket	
(37)		hexagonal socket head plug	M16×1.5
(38)		Copper washer	16
39	GB276	Radial thrust ball bearing	6004
40	D330B-36103	gasket	

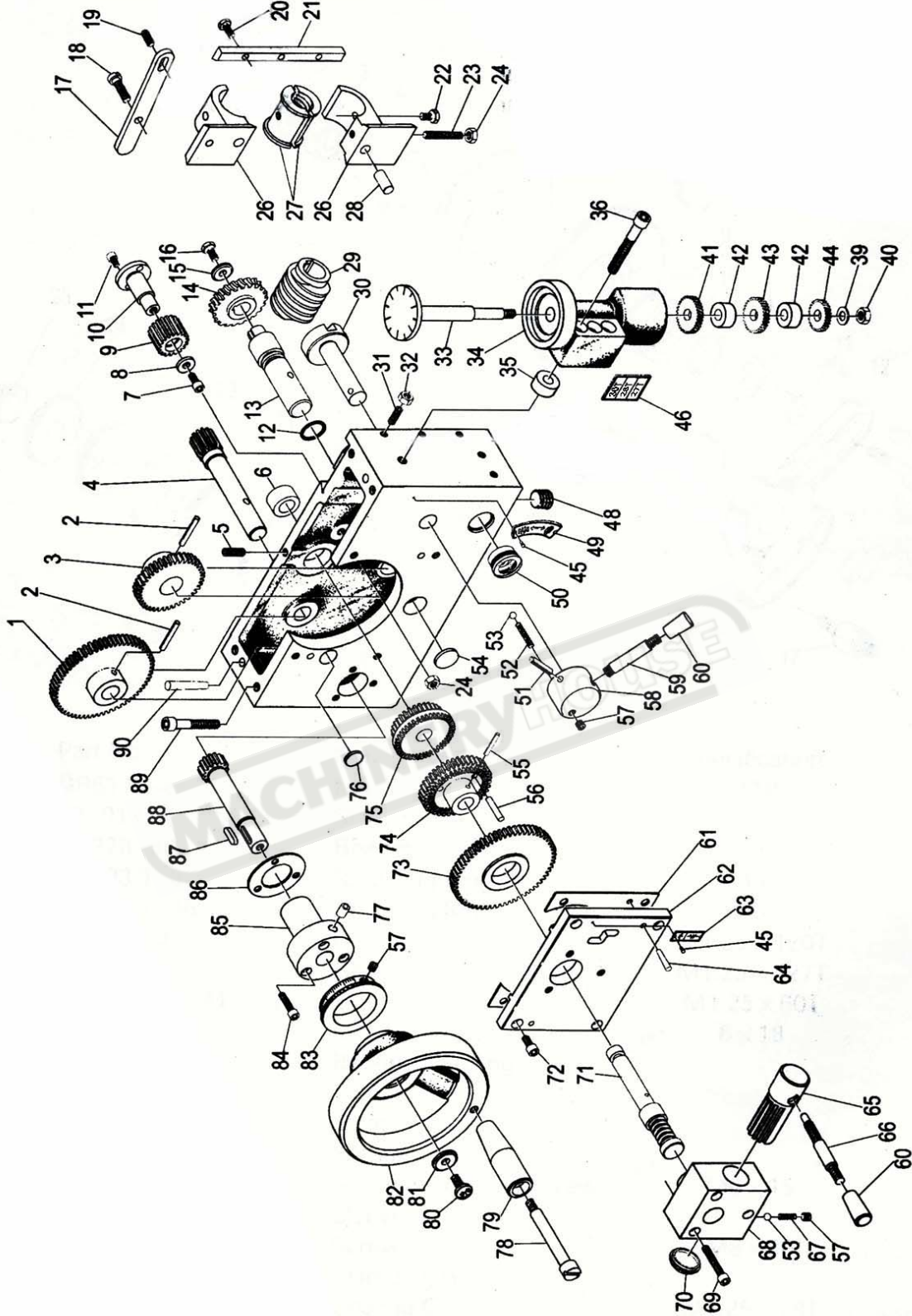
FEED GEAR BOX: PARTS LIST

№	Part №	Name	Specification
41	D330B-36102	flange	
42	GB3871	Oil seal	SD25X40X7
43	D330B-36101	shaft	
44	D330B-32201	gear	
45	D330B-32202	gear	
46	D330B-32104	Space washer	
47	D330B-32203	gear	
48	D330B-32105	Space washer	
49	D330B-35106	Space washer	
50	D330B-35205	gear	
51	D330B-35105	Space washer	
52	D330B-35204	gear	
53	D330B-35203	gear	
55	D330B-35202	gear	
56	D330B-35104	Space washer	
57	D330B-35201	gear	
58	D330B-33101	shaft	
59	D330B-33201	gear	
60	D330B-36104	Space washer	
61	GB894.1	circlip	16
62	D330B-36201	gear	
63	D330B-38102	End cover	
64	D330B-38103	Rack-A	
65	D330B-38104	Shift fork-A	
66	D330B-38105	Rack-B	
67	D330B-38106	Shift fork-B	
68	D330B-38101	shaft	
69	D330B-38108	Shift fork-C	
70	D330B-38107	Rack-C	
71	D330B-38110	Shift fork-D	
72	D330B-38109	Rack-D	
73	GB78	screw	M5×8
74	GB1235	O-ring	12×1.9
75	D330B-38111	gear	
76	GB1096	key	5×8
77	GB1235	O-ring	16×2.4
78	D330A-3054	handle	
79	GB308	Steel ball	6

13.Change Gearbox(1/1)



14. Apron



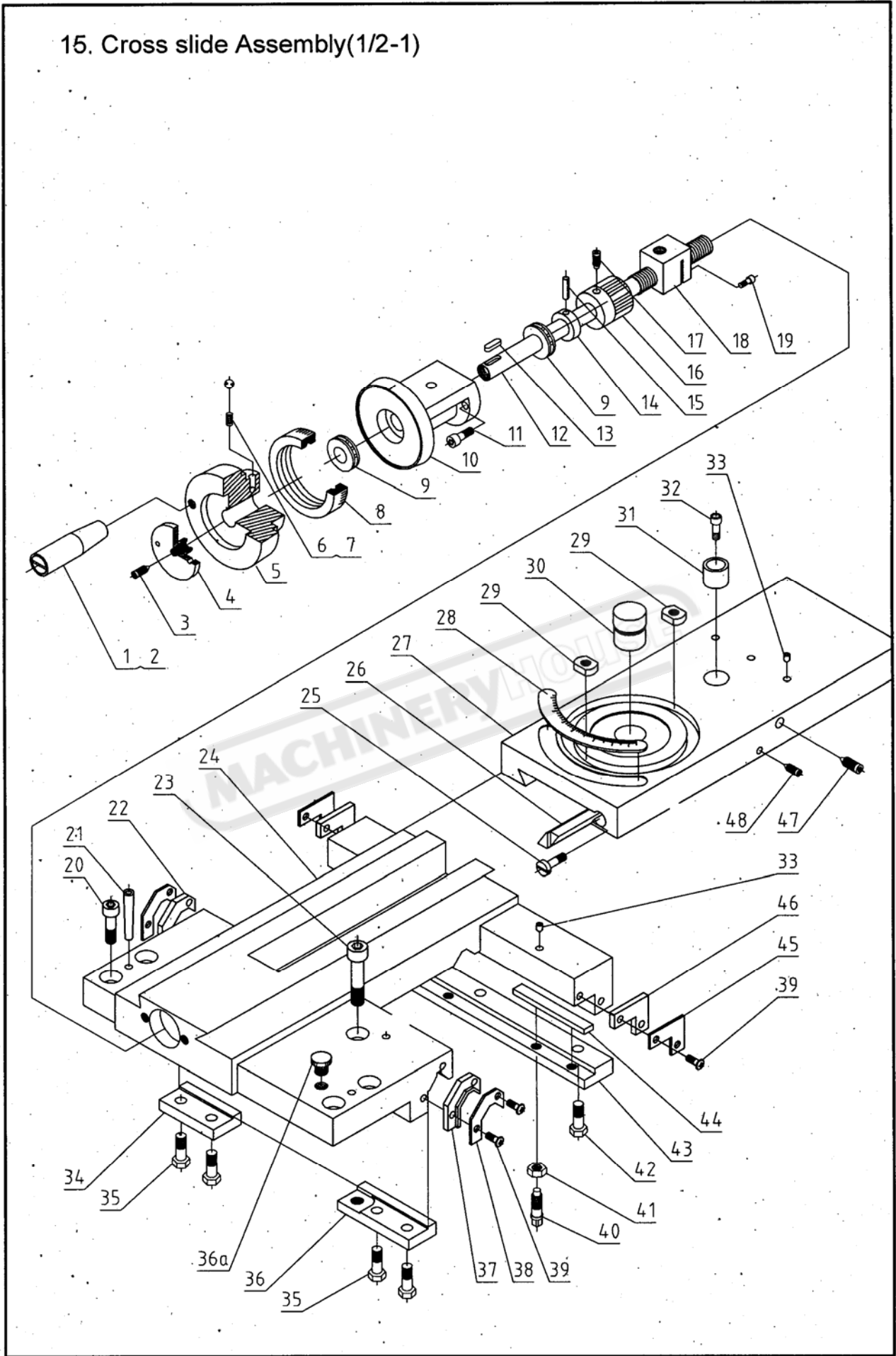
APRON: PARTS LIST

No.	Part No	Name	Specification
1	33-4012	Gear	M1.5×60T
2	GB879-86	Spring Pin	5×30
3	33-4024	Gear	M1.5×18T
4	33-4010	Pinion Shaft	M1.5×11T
5	GB79-85	Set Screw	M6×16
6	33-4049	Sleeve	
7	GB70-85	Socket Head Cap Screw	M6×12
8	32-06240	Washer	
9	32-06231	Gear	
10	32-06232	Idle Shaft	
11	GB70-85	Socket Head Cap Screw	M5×12
12	GB1255-76	O-Ring	
13	33-4026	Shaft	
14	32-06429	Worm Gear	
15	33-4028	Washer	
16	GB5783-86	Cap Screw	M6×12
17	33-4038	Interlock Piece	
18	GB6170-86	Pan Head Screw	M6×20
19	GB77-85	Socket Head Set Screw	M6×12
20	GB5783-86	Hexagon Head Screw	M5×20
21	33-4036	Gib	
22	GB5783-86	Hexagon Head Screw	M6×10
23	GB77-85	Socket Head Set Screw	M6×35
24	GB6170-85	Hexagon Nuts	M6
25	33-4040B	Dial Indicator(For Imperial Use)	
26	33-4035	Half Nut Base	
27	33-4035 1/2	Half Nut	
28	GB119-86	Pin	8×16
29	32-06228	Worm	
30	32-06225	Cam Shaft	
31	GB80-85	Socket Head Set Screw	M5×16
32	GB41-86	Hexagon Nut	M5
33	33-4040A	Dial Indicator(For Metric Use)	
34	33-4039A	Thread Dial Body(For Metric Use)	
35	32-06206	Washer	
36	GB70-85	Socket Head Cap Screw	M8×50
37	33-4039B	Thread Dial Body (For Imperial Use)	
38	33-4045A	Helical Gear	
39	GB95-85	Washer	8
40	GB41-86	Hexagon Nut	M8×50
41	33-4043	Helical Gear	
42	32-06237	Spacer	
43	33-4042	Helical Gear	
44	33-4041	Helical Gear	

APRON: PARTS LIST

No.	Part No	Name	Specification
45	GB827-86	Button Head River	2×5
46	33-4048	Helical Gear Chart	
47	33-4046	Indicator Table	
48	Q/ZG285.3	Drain Plug	1/8"
49	33-4050	Half Nut Indicator	
50	GB1160-89	Oil Sight Glass	A20
51	GB879-86	Spring Pin	5×35
52	GB2089-80	Compression Spring	
53	GB308-77	Steel Ball	
54	33-4027	Plug	
55	GB879-86	Spring Pin	3×25
56	GB119-85	Pin	C5×25
57	GB77-85	Socket Head Set Screw	M6×6
58	33-4033	Lever Handle	
59	33-4034	Lever	
60	GB1342-73	Knob	M8×40
61	33-4002-1	Spacer	
62	33-4002	Front Cover	
63	33-4047	Feed Direction Indicator	
64	GB117-86	Taper Pin	5×20
65	33-4020	Cam Shaft	
66	33-4022	Change Lever	
67	GB2089-80	Compression Spring	
68	33-4019	Bracket	
69	GB70-85	Socket Head Cap Screw	M6×35
70	CL6132-06-02	Plug	
71	33-4013	Shifting Shaft	
72	GB70-85	Socket Head Cap Screw	M6×16
73	33-4016	Clutch Gear	
74	33-4015	Clutch Gear	
75	33-4014	Clutch Gear	
76	33-4011	Plug	
77	GB1155-79	Ball Cap	
78	33-4008	Bolt	
79	33-4009	Handle	
80	GB818-85	Cross Recessed Head Screw	M6×15
81	33-4007	Washer	
82	33-4005	Handle Wheel	
83	33-4006	Dial	
84	GB70-85	Socket Head Cap Screw	M5×25
85	33-4004	Bracket	
86	33-4004-1	Spacer	
87	GB1096-79	Double Round Head Key	5×5×20
88	33-4003	Gear Shaft	
89	GB70-85	Socket Head Cap Screw	M8×30
90	GB117-85	Taper Pin	8×40

15. Cross slide Assembly(1/2-1)



SADDLE & CROSS SLIDE (1/2-1): PARTS LIST

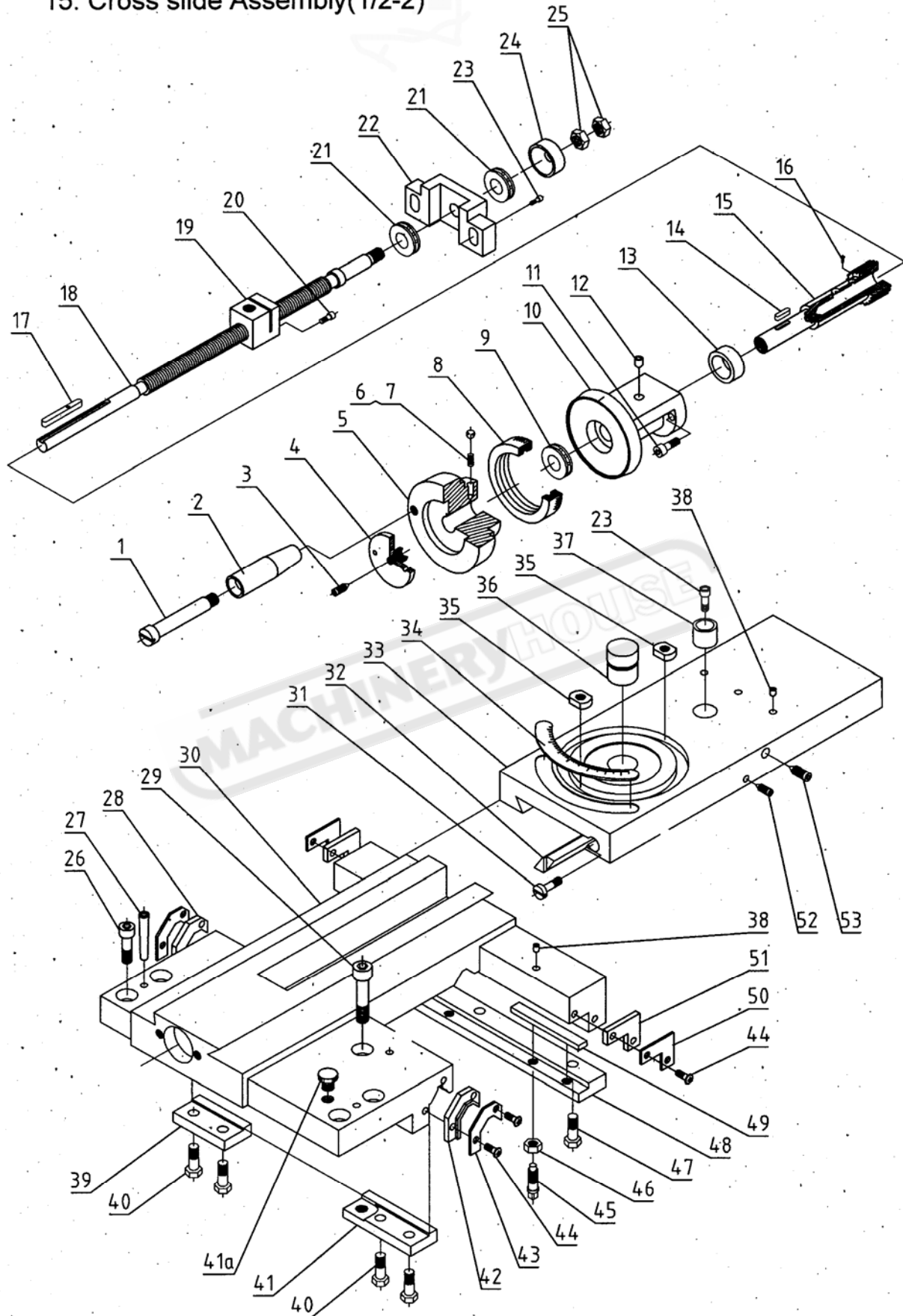
No	Part No	Name	Specification
1	D330A-81202	collar	
2	D330A-81203-2	screw	M10
3	GB78	screw	M6×25
4	D330B-51207G-1	Adjusting screw	
5	D330B-51207G	Handle wheel	
6	GB2089	spring	Y1-5×1×12
7	GB308	Steel ball	5
8	D330B-51208G	Index ring	
9	GB301	Thrust ball bearing	51102
10	D330B-51106G	bracket	
11	GB70	Socket head screw	M6×20
12	D330B-51206G	Cross leadscrew	Metric or inch
13	GB1096	key	5×8
14	D330A-51201	Space washer	
15	GB879	Spring pin	4×25
16	D330C-51202C	gear	
17	GB79	screw	M6×8
18	D330B-51401G	Copper nut	
19	GB70	Socket head screw	M6×16
20	GB70	Socket head screw	M10×30
21	GB118	Taper pin	6×45
22	D330A-51301	Left rubber wiper	
23	GB70	Socket head screw	M10×45
24	D330B-51101G	Saddle casting	
25	D330A-51214	Adjusting screw	
26	D330B-51212G	wedge	
27	D330B-51102G	Cross slide	
28		Staff guage	
29	D330B-51203G	Tailor-made nut	
30	D330B-51219G	Slide axis	4×80
31	D330B-51201G	washer	
32	GB70	Socket head screw	M8×16
33	GB1155	Oil cup	6
34	D330A-51103	Front strip	
35	GB5781	hexagon(al) head tap bolt	M8×20
36a	D330A-51215	Screw plug	
36	D330A-51105	strip	
37	D330A-51302	Right rubber wiper	
38	D330A-51205	plate	
39	GB818	Cup head screw	M5×12
40	GB83	Coach bolt	M8×25

SADDLE & CROSS SLIDE (1/2-1): PARTS LIST

No	Part No	Name	Specification
41	GB6170	Hexagon head nut	M8
42	GB5781	hexagon(al) head tap bolt	M8×25
43	D330A-51104	Back strip	
44	D330A-51216	wedge	
45	D330A-51204	plate	
46	D330A-51303	Back rubber wiper	
47	GB78	screw	M8×16
48	GB78	screw	M6×12

MACHINERYHOUSE

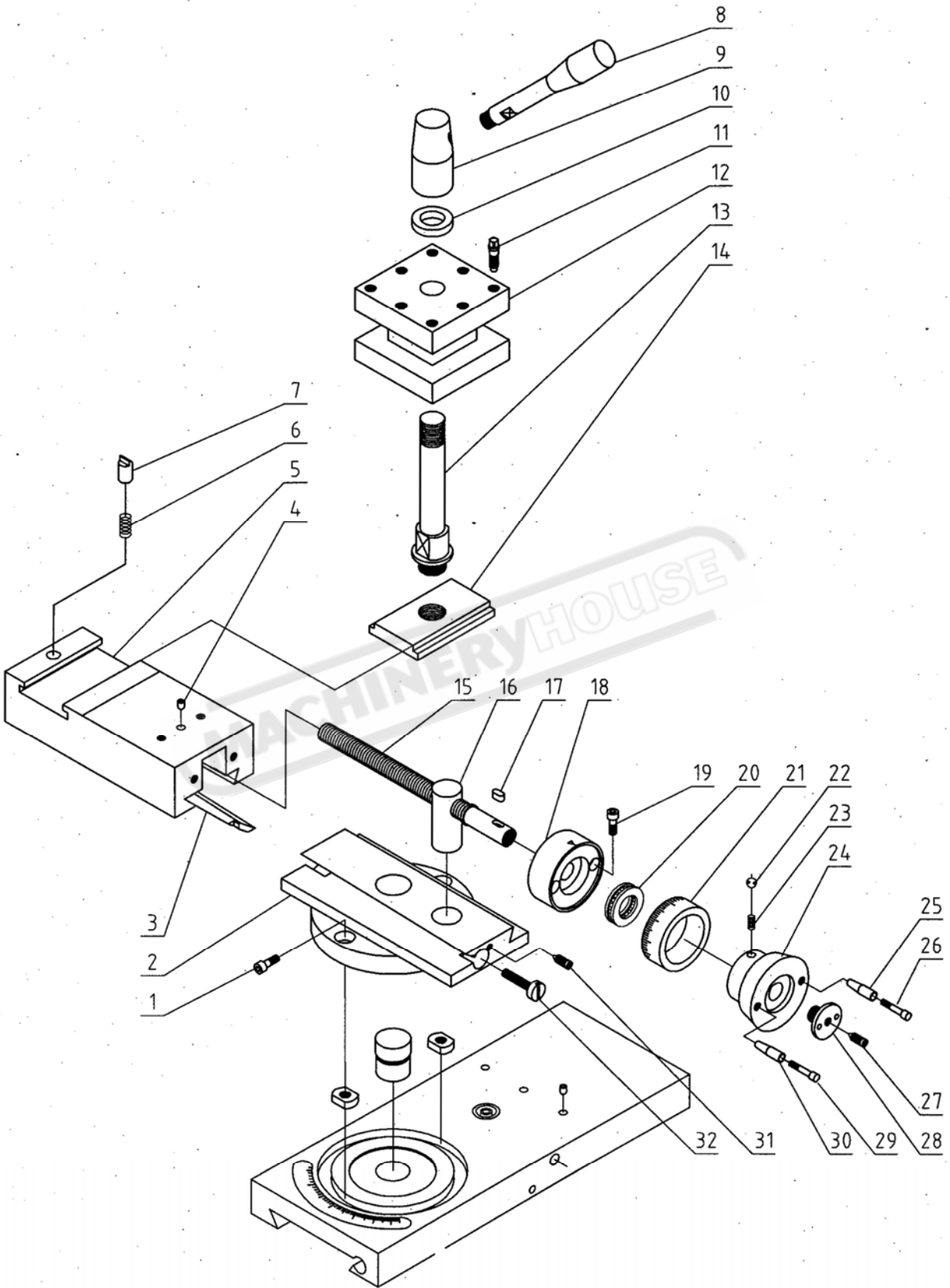
15. Cross slide Assembly(1/2-2)



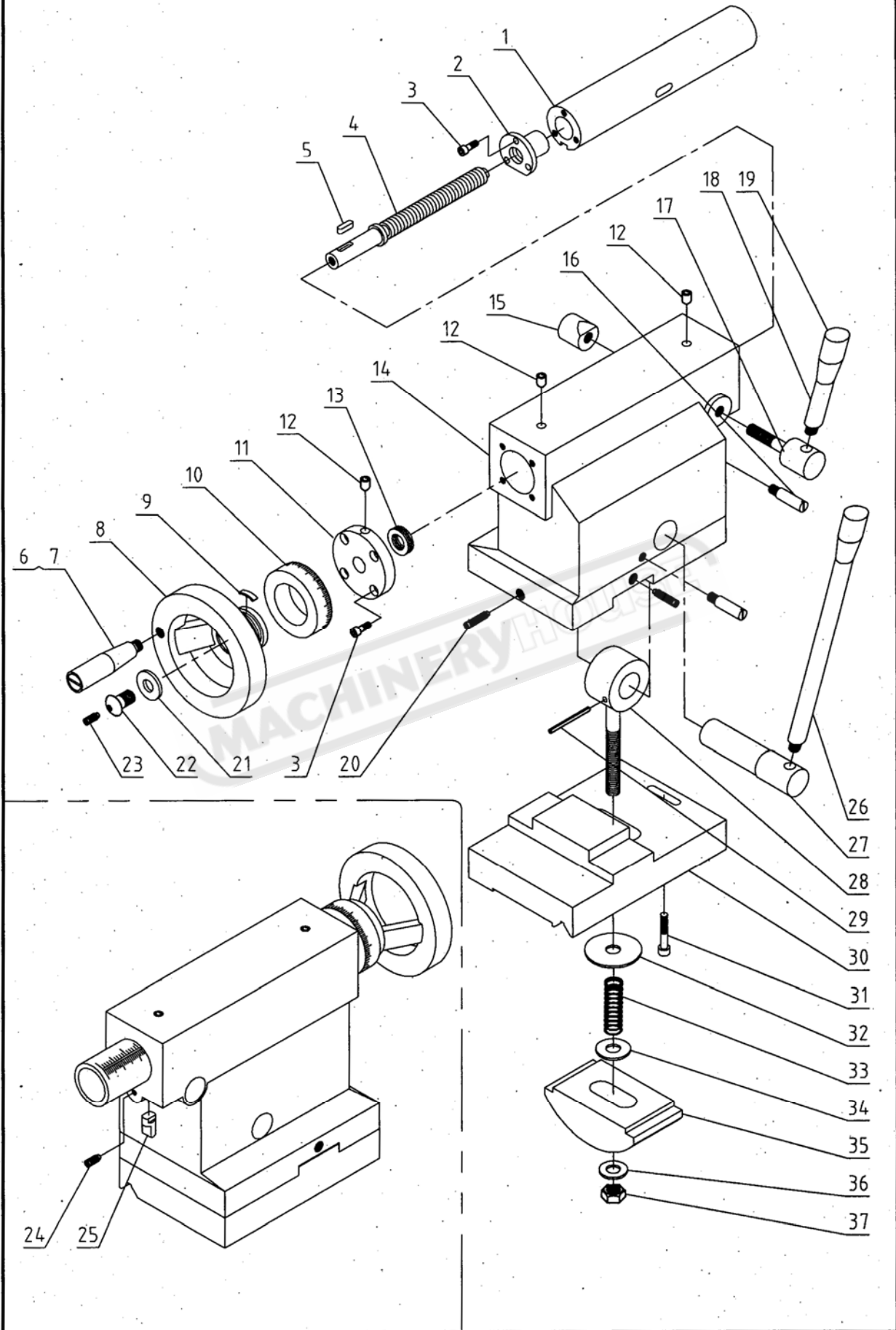
SADDLE & CROSS SLIDE (1/2-2): PARTS LIST

No	Part No	Name	Specification
1	D330A-81202	collar	
2	D330A-81203-2	screw	M10
3	GB78	screw	M6×25
4	D330B-51207G-1	Adjusting screw	
5	D330B-51207G	Handle wheel	
6	GB2089	spring	Y1-5×1×12
7	GB308	Steel ball	5
8	D330B-51208G	Index ring	
9	GB301	Thrust ball bearing	51102
10	D330B-51106G	bracket	
11	GB70	Socket head screw	M6×20
12	GB1155	Oil cup	8
13	D330B-F4003	Space washer	
14	GB1096	key	4×16
15	D330B-F4004	Connecting shaft	
16	GB819	screw	M3×4
17	D330B-F4008	Tailor-made key	
18	D330B-F4005	Cross leadscrew	Metric or inch
19	D330B-51401G	Copper nut	Metric or inch
20	GB70	Socket head screw	M6×16
21	GB301	Thrust ball bearing	51101
22	D330B-F4006	Back bracket	
23	GB70	Socket head screw	M8×16
24	D330B-F4007	cover	
25	GB6170	Hexagon nut	M10
26	GB70	Socket head screw	M10×30
27	GB118	Taper pin	6×45
28	D330A-51301	Left rubber wiper	
29	GB70	Socket head screw	M10×45
30	D330B-51101G	Saddle casting	
31	D330A-51214	Adjusting screw	
32	D330B-51212G	wedge	
33	D330B-51102G	Cross slide	
34		Staff guage	
35	D330B-51203G	Tailor-made nut	
36	D330B-51219G	Slide axis	
37	D330B-51201G	washer	
38	GB1155	Oil cup	6
39	D330A-51103	Front strip	
40	GB5781	hexagon(al) head tap bolt	M8×20
41a	D330A-51215	Screw plug	
41	D330A-51105	strip	
42	D330A-51302	Right rubber wiper	
43	D330A-51205	plate	

15. Cross slide Assembly(2/2)



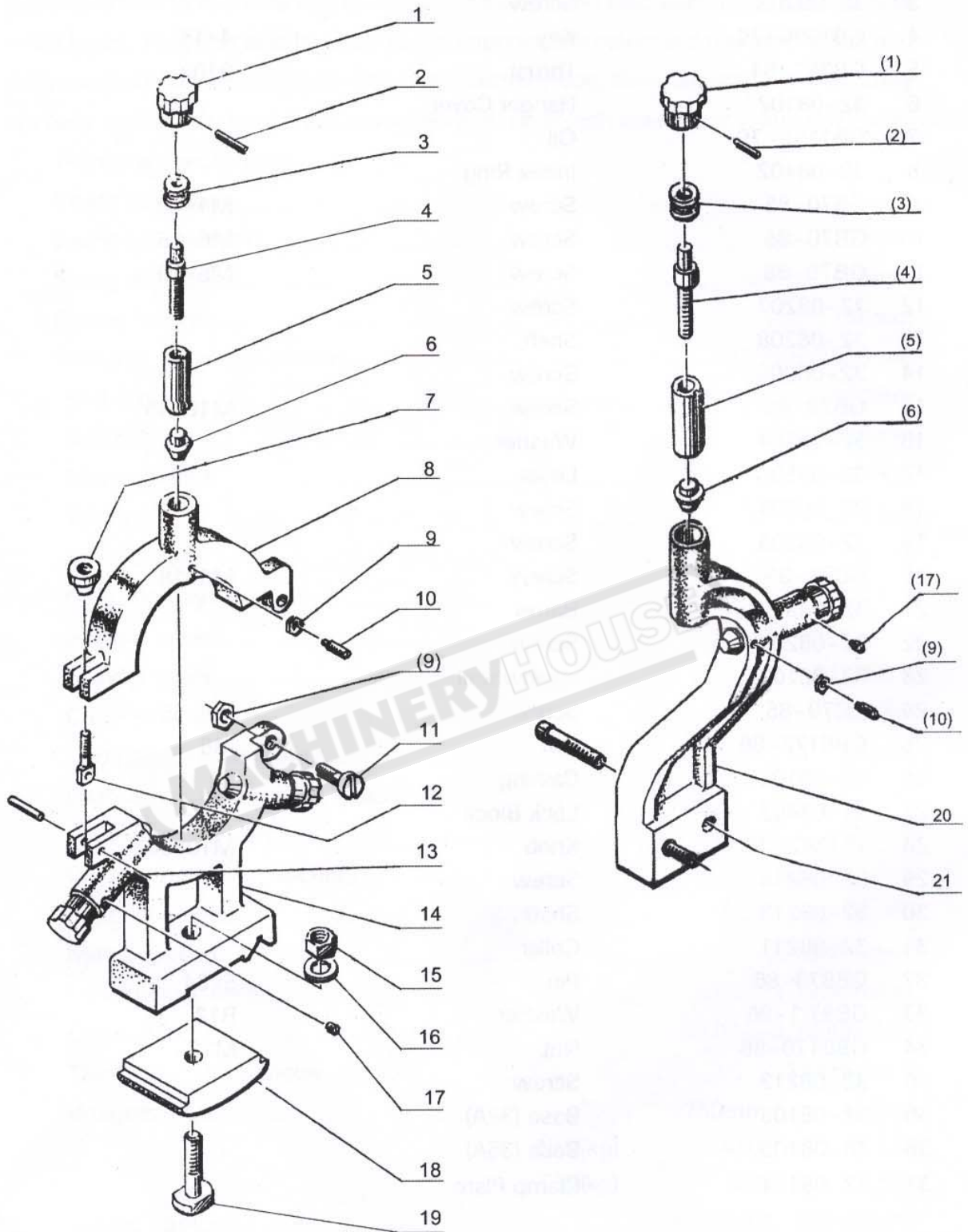
16. Tailstock Assembly(1/1)



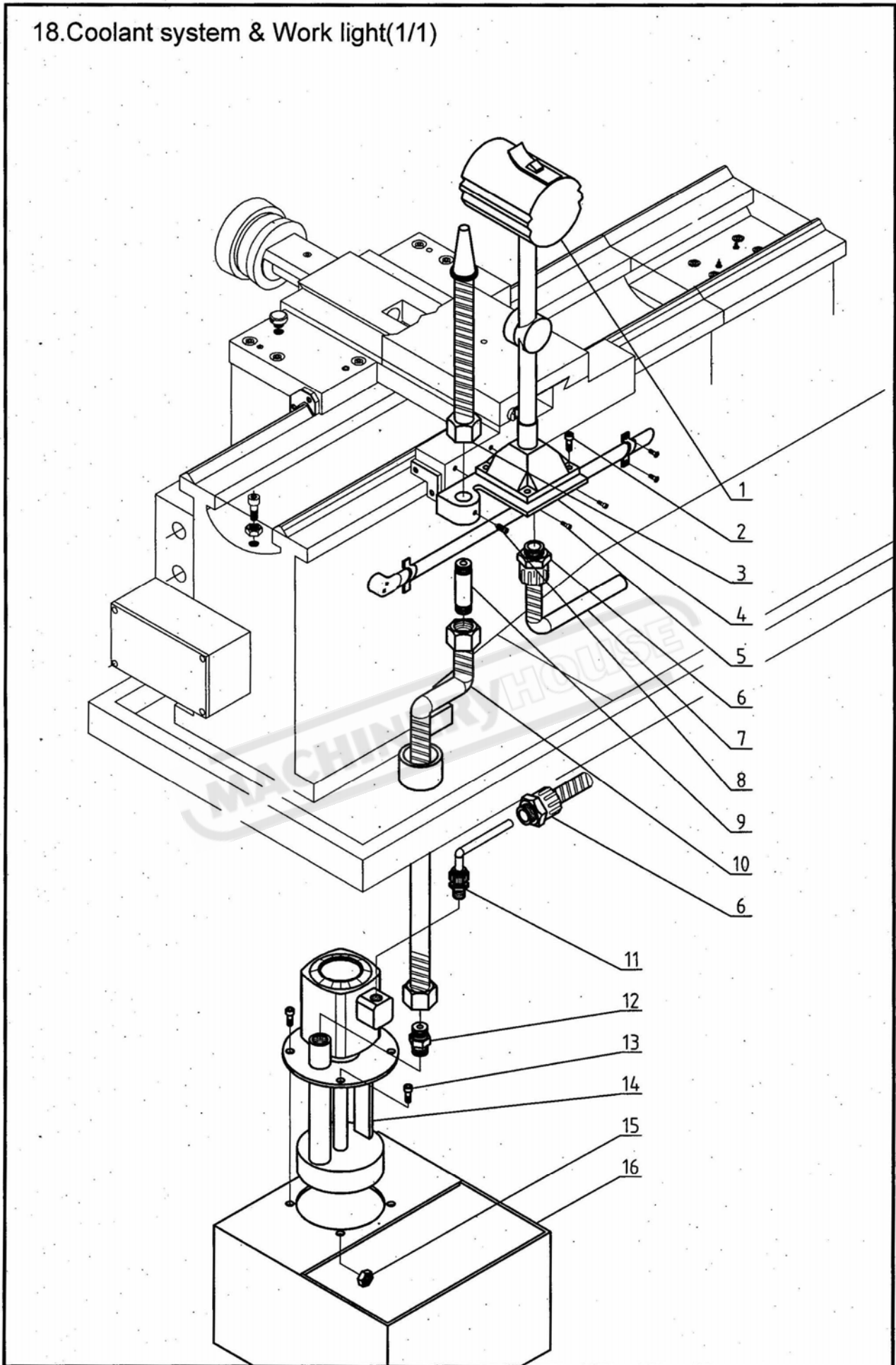
TAILSTOCK: PARTS LIST

№	Part №	Name	Specification
1		sleeve	
2		Copper nut	Metric:4mm or inch:10TPI
3	GB70	Socket head screw	M5×12
4		leadscrew	Metric:4mm or inch:10TPI
5	GB1096	key	4×15
6	D330A-81202	collar	
7	D330A-81203-1	bolt	M8
8		Handle wheel	
9		Spring reed	
10	D330A-6010	Index ring	
11		End cover	
12	GB1155	Oil cup	8
13	GB301	Thrust ball bearing	51102
14		Tailstock casting	
15		Lock block	
16		pin	
17		shaft	
18		handle	
19	JB1342	cover	M8x40
20	GB79	screw	M12×45
21	GB97.1	washer	12
22		Adjusting screw	
23	GB78	screw	M6×25
24	GB79	screw	M6×8
25		pin	
26		handle	
27		eccentricity shaft	
28		Draw-in bolt	
29	GB879	Spring pin	4×50
30		base	
31	GB70	Socket head screw	M6x40
32	D330A-6042	Tailor-made washer	
33		spring	
34	D330A-6043	Tailor-made washer	
35		Clamp plate	
36	GB97.1	washer	16
37	GB6170	Hexagon nut	M16

17. Steady & Follow Rest

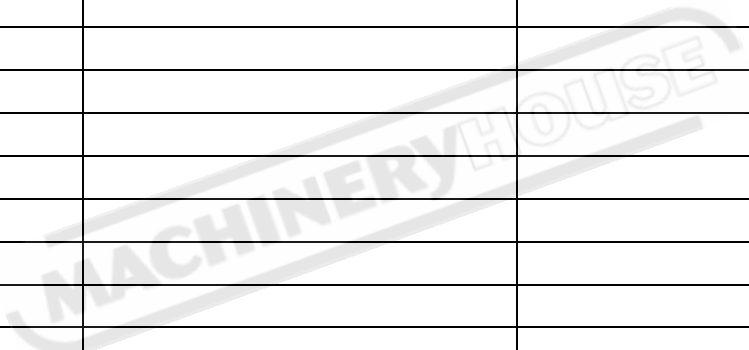


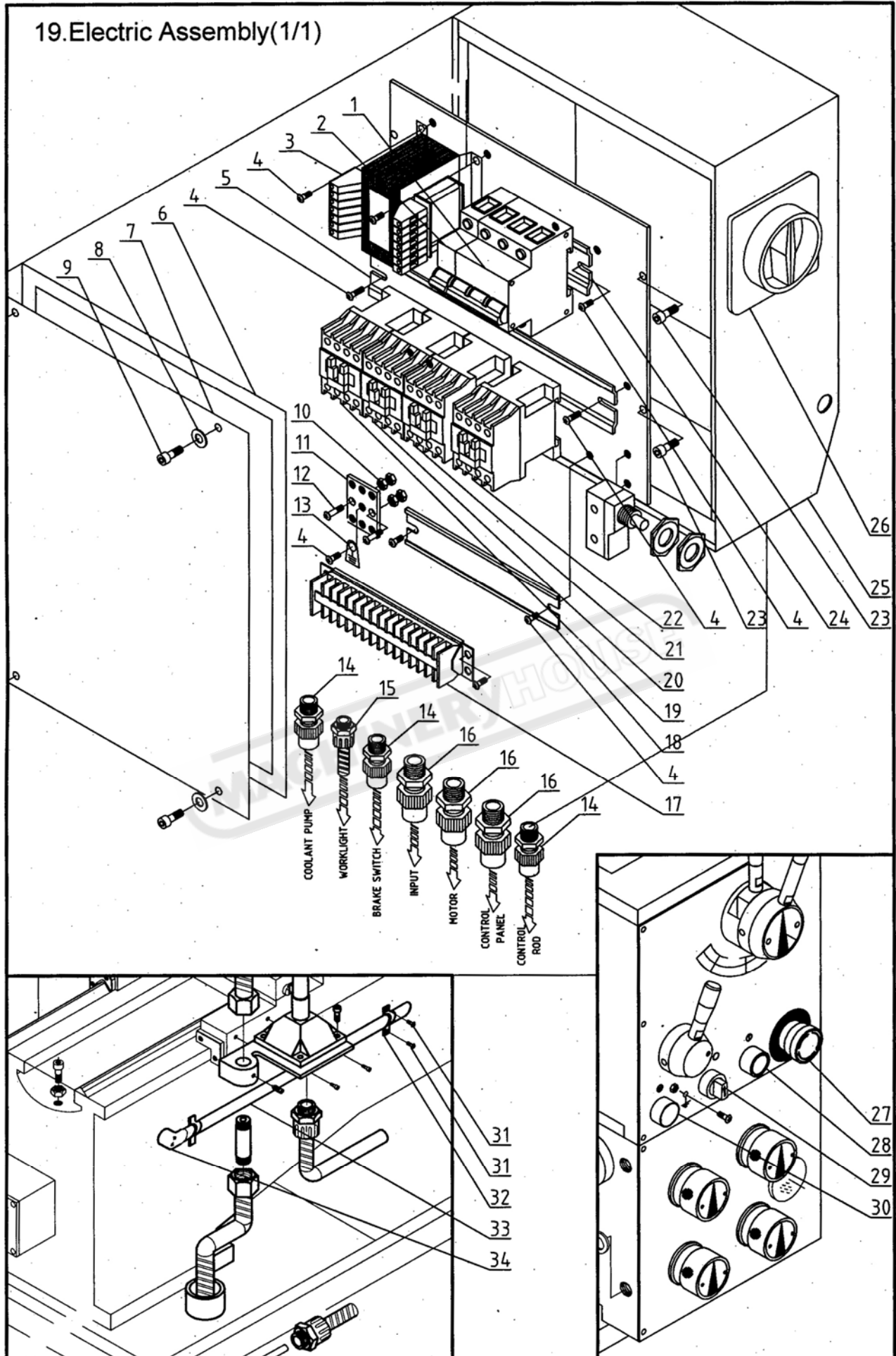
18.Coolant system & Work light(1/1)



COOLANT SYSTEM: PARTS LIST

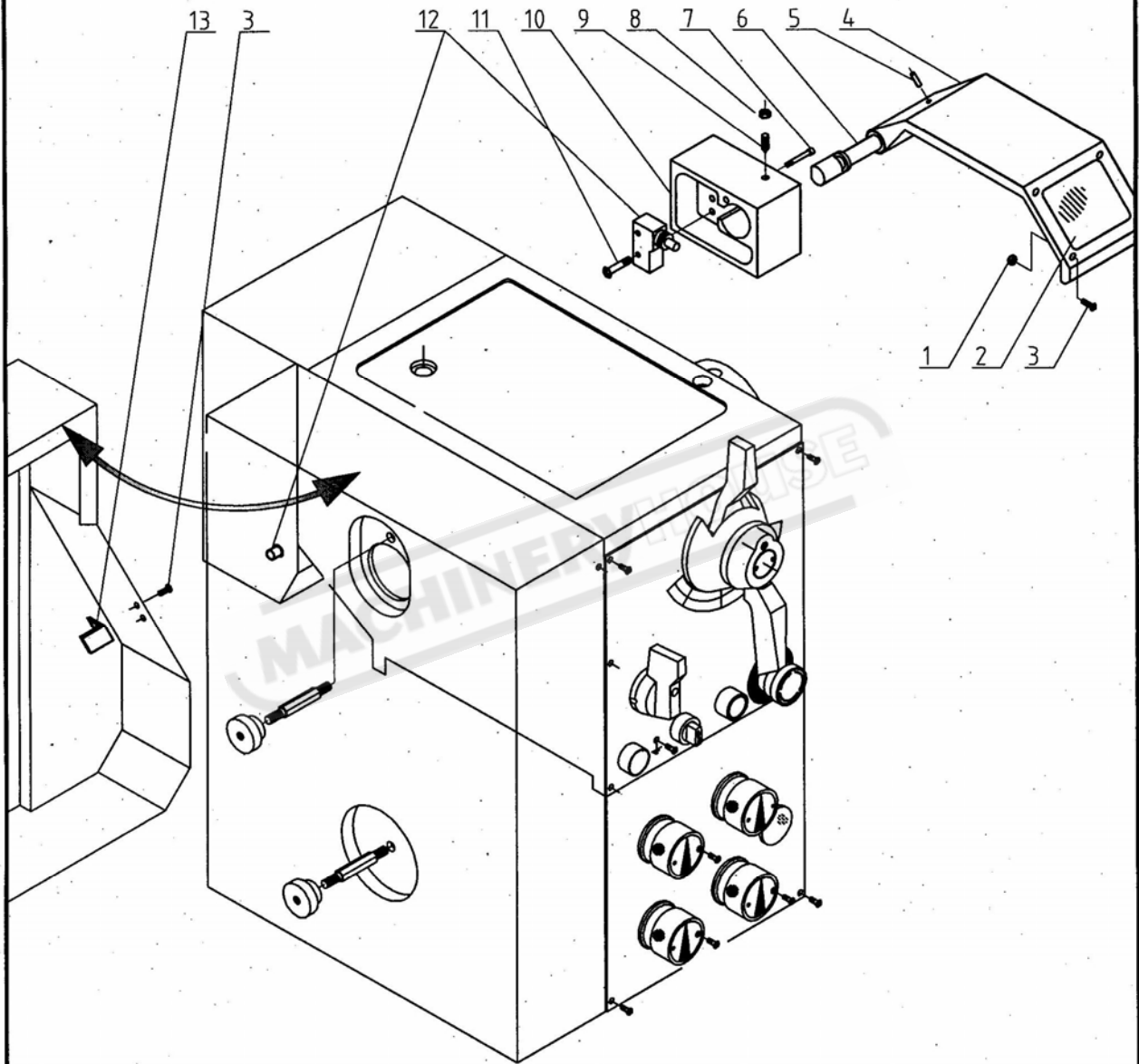
No.	Part No	Name	Specification
1	32-15201	Work light	
2	GB70	Socket head screw	M5×12
3		Liquid nozzle	
4	D330A-71206-2	bracket	
5	GB70	Socket head screw	M6×16
6		Lock connecting	M20×1.5
7		Plastic tube	
8	GB78	screw	M6×12
9	D330A-92202	pipe	
10		Metal cooling tube	
11		Lock connecting	M12×1
12	D330A-92203	connecting	
13	GB70	Socket head screw	M5×12
14	AB-12	pump	
15	GB6170	Hexagon nut	M5
16	D330B-14401	Water tank	



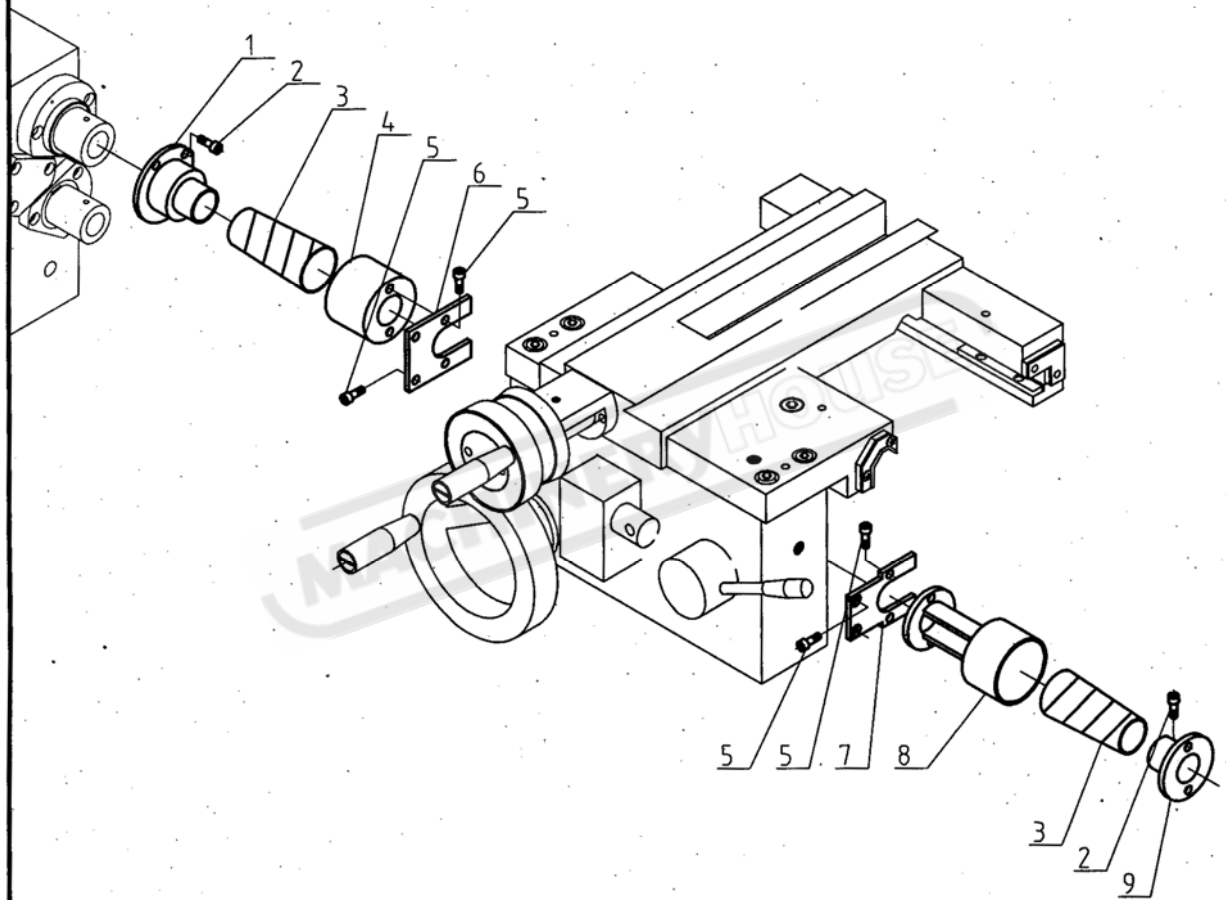


Optional accessories

-----CE safety protecting for chuck & change gears

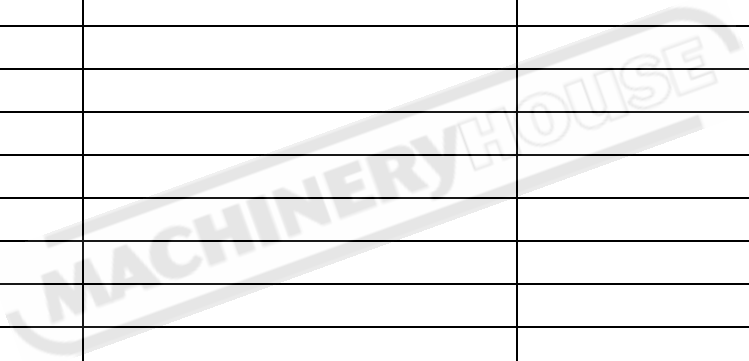


Optional accessories
-----Leadscrew guard

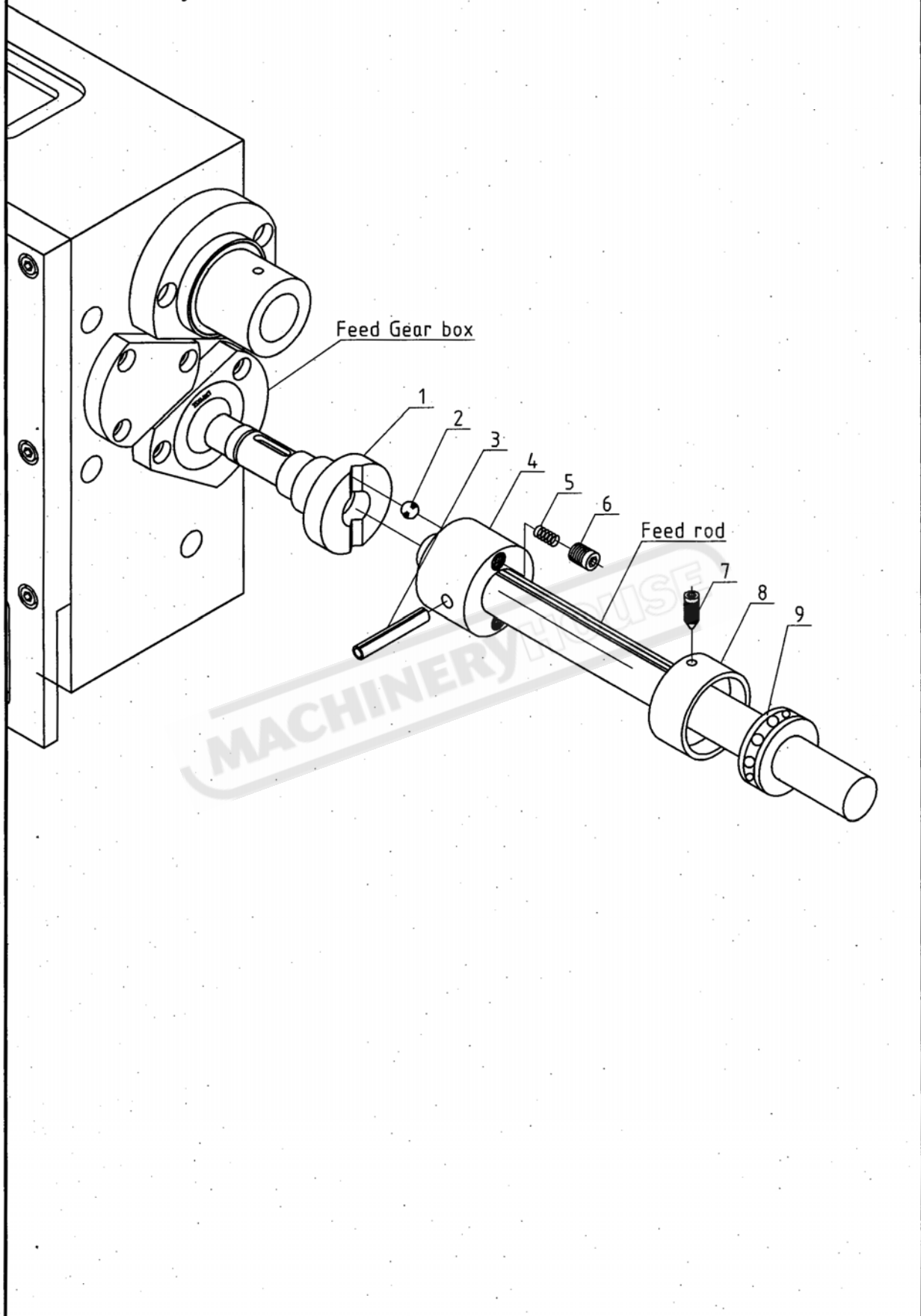


LEADSCREW GUARD: PARTS LIST

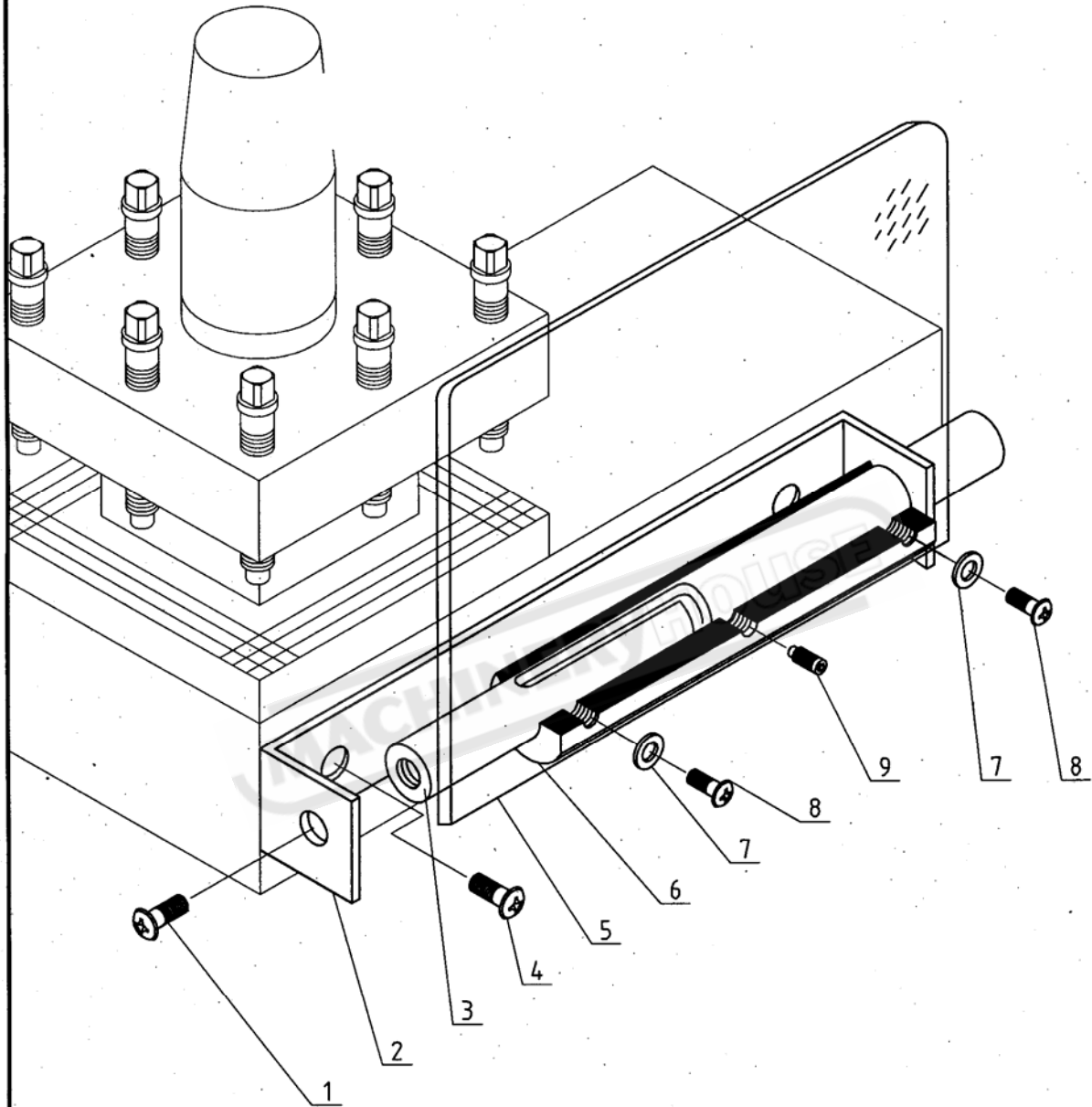
No.	Part No	Name	Specification
1	D330B-1030G	bracket	
2	GB70	Socket head screw	M5×10
3	D330-F3001	Spring cover	
4	D330A-1034	Left bracket	
5	GB70	Socket head screw	M6×12
6	D330A-1032	Left bracket	
7	D330A-1033	Right bracket	
8	D330B-1029G	Right bracket	
9	D330A-1031	bracket	



Optional accessories
-----Safety clutch for feed rod

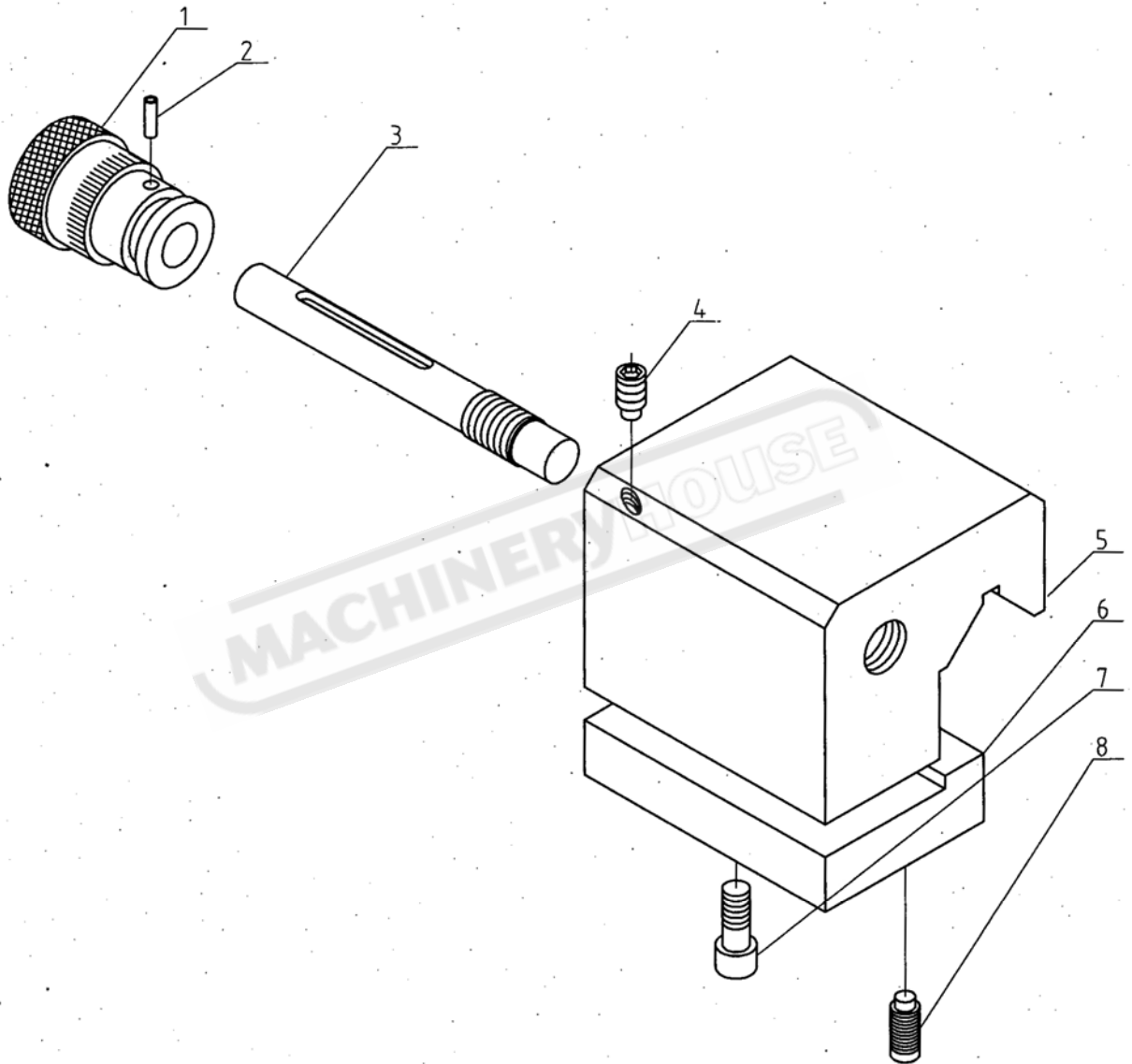


Optional accessories
-----Simple safety protecting glass



Optional accessories

-----Demarcation framework for longitudinal travel



DEMARCATIION FRAMEWORK PARTS LIST

No.	Part No	Name	Specification
1	DC003	Index ring	
2	GB879	Spring pin	3×6
3	DC004	shaft	
4	GB79	screw	M6×10
5	DC001	Casting body	
6	DC002	plate	
7	GB70	Socket head screw	
8	GB79	screw	M5×16

